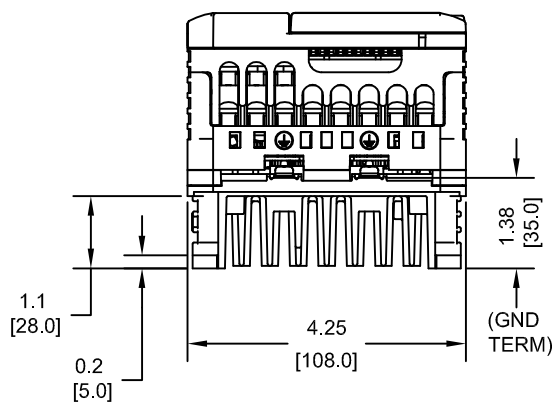
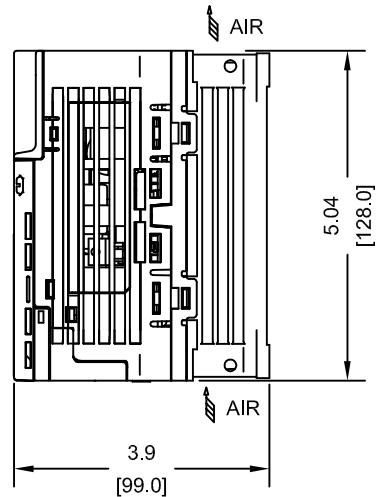
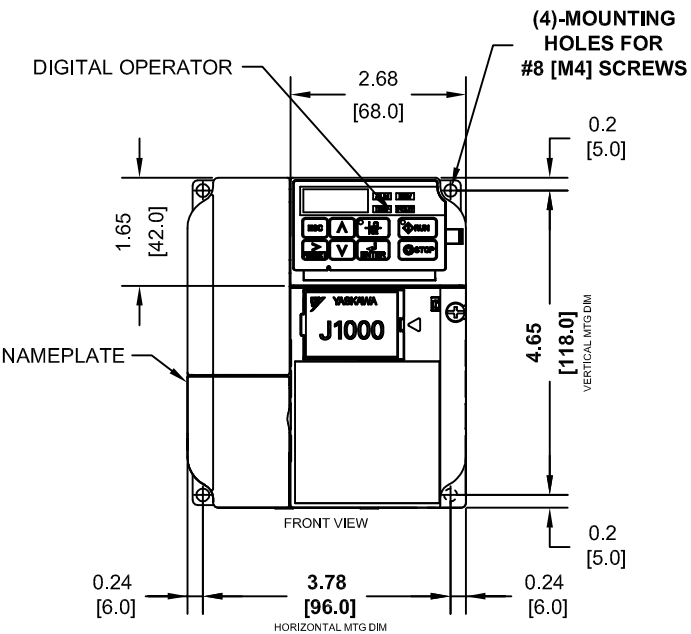
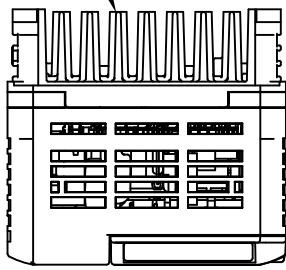


NATURAL CONVECTION COOLING



MODEL # CIMR-JU	VOLTAGE THREE PHASE (VAC)	OUTPUT CURRENT (A)		WEIGHT LBS (Kg)	HEAT LOSS (W)					
		ND	HD		ND (Fc=2kHz)			HD (Fc=8kHz)		
					INT	EXT	TOT	INT	EXT	TOT
4A0002BXX	380/480	2.1	1.8	2.7 (1.2)	13.9	18.5	32.4	14.8	28.9	43.7

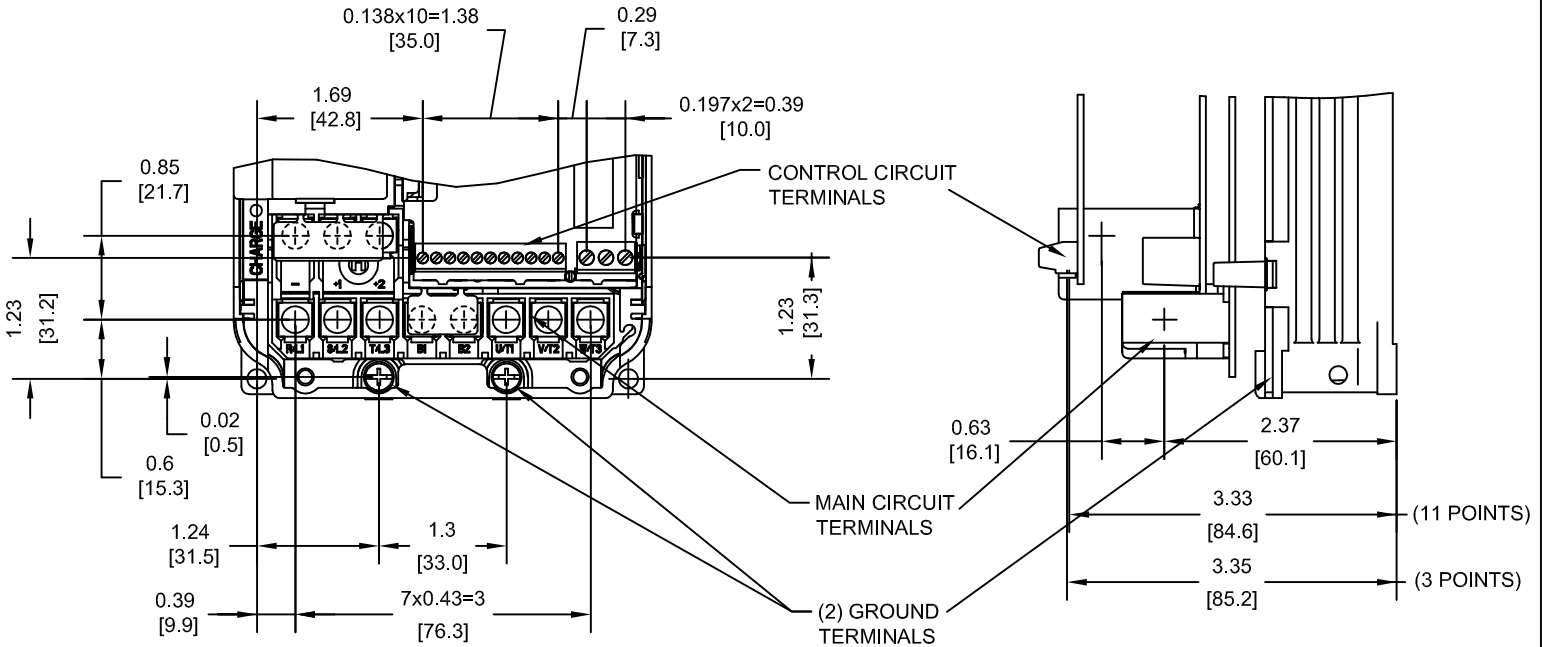
NOTE:
XX DENOTES AA-ZZ

INT=INTERNAL COMPONENTS
EXT=EXTERNAL HEATSINK
TOT=TOTAL

FOR ADDITIONAL DETAILS AND SPECIFICATIONS, CONSULT MANUAL

TOLERANCES / REFERENCES:		<p>YASKAWA The Drive for Quality™</p> <p><i>THIS DOCUMENT AND INFORMATION CONTAINED IN IT ARE CONFIDENTIAL, AND CANNOT BE COPIED OR DISCLOSED IN WHOLE OR IN PART WITHOUT THE EXPRESS WRITTEN CONSENT OF YASKAWA ELECTRIC AMERICA INC.</i></p>	DRAWN: J. MATTAS CHECKED: J. PIOTROWSKI TECH: J. CAIRO APPROVED: T. SASADA ORIGINAL DESIGN: -	DATE: 7-29-08 DATE: 4-16-09 DATE: 5-11-09 DATE: 5-14-09 DATE: -	TITLE: J1000 DIMENSION DRAWING FRAME SIZE 6 OPEN ENCLOSURE (IP20 RATING) 4A0002B
UNITS: IN [mm]	SCALE: 1:3		SIZE A	REVISION R00	PAGE 1 of 3
			DRAWING #: DD.J1K.FR6.IP20		

TERMINAL AND WIRING DETAILS (SCALE 1:2)



TERMINAL AND WIRE SPECIFICATIONS FOR
MAIN CIRCUIT AND GROUND

MODEL #	TERMINAL SCREW	CLAMPING TORQUE lb.in.(N.m.)	WIRE RANGE AWG(mm ²)
CIMR-JU	M4	10.6 TO 13.3 (1.2 TO 1.5)	22-10 (0.33-5.5)

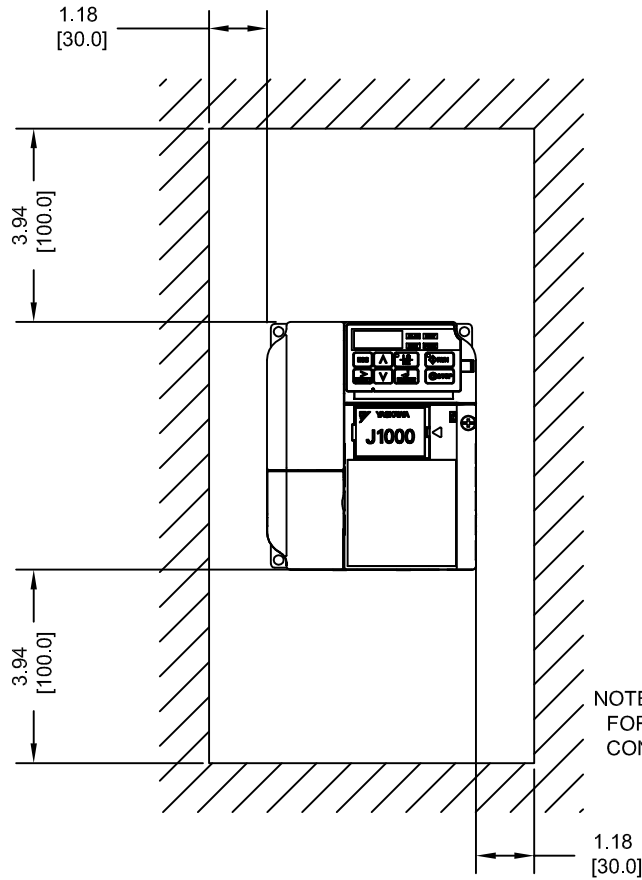
NOTE: RATINGS APPLY TO BOTH FACTORY AND FIELD WIRING
REFER TO APPLICABLE CODES FOR PROPER WIRE TYPE AND SIZE

FOR ADDITIONAL DETAILS AND SPECIFICATIONS, CONSULT MANUAL

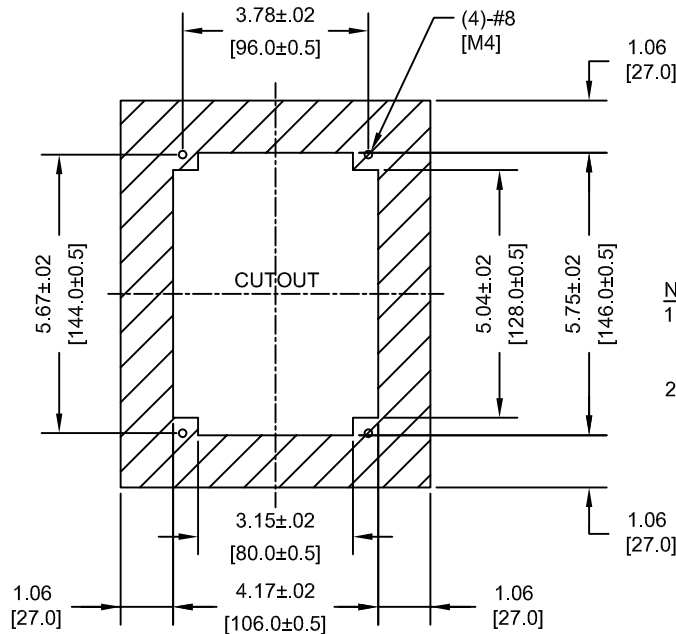
TOLERANCES / REFERENCES:			DRAWN: J. MATTAS DATE: 7-29-08	TITLE: J1000 DIMENSION DRAWING FRAME SIZE 6 OPEN ENCLOSURE (IP20 RATING) 4A0002B
UNITS: IN[mm] SCALE: BY VIEW			CHECKED: J. PIOTROWSKI DATE: 4-16-09	TECH: J. CAIRO DATE: 5-11-09
ORIGINAL DESIGN: -		APPROVED: T. SASADA DATE: 5-14-09	DATE: -	DRAWING #: DD.J1K.FR6.IP20

THIS DOCUMENT AND INFORMATION CONTAINED
IN IT ARE CONFIDENTIAL, AND CANNOT BE
COPIED OR DISCLOSED IN WHOLE OR IN PART
WITHOUT THE EXPRESS WRITTEN CONSENT
OF YASKAWA ELECTRIC AMERICA INC.

MINIMUM INSTALLATION CLEARANCES (SCALE 1:4)



PANEL CUTOUT FOR EXTERNAL HEATSINK MOUNTING CONFIGURATION (SCALE 1:4)



- NOTES:
- EXTERNAL HEATSINK CONFIGURATION REQUIRES MOUNTING KIT
 - EXPOSED HEATSINK RECOMMENDED CLEARANCE D=1.57" MINUS PANEL THICKNESS

TOLERANCES / REFERENCES:		<p>THIS DOCUMENT AND INFORMATION CONTAINED IN IT ARE CONFIDENTIAL, AND CANNOT BE COPIED OR DISCLOSED IN WHOLE OR IN PART WITHOUT THE EXPRESS WRITTEN CONSENT OF YASKAWA ELECTRIC AMERICA INC.</p>	DRAWN: J. MATTAS	DATE: 7-29-08	TITLE: J1000 DIMENSION DRAWING FRAME SIZE 6 OPEN ENCLOSURE (IP20 RATING) 4A0002B
			CHECKED: J. PIOTROWSKI	DATE: 4-16-09	
			TECH: J. CAIRO	DATE: 5-11-09	
			APPROVED: T. SASADA	DATE: 5-14-09	
UNITS: IN [mm]	SCALE: BY VIEW	ORIGINAL DESIGN:		DATE:	SIZE: A REVISION: R00 PAGE: 3 of 3
					DRAWING #: DD.J1K.FR6.IP20